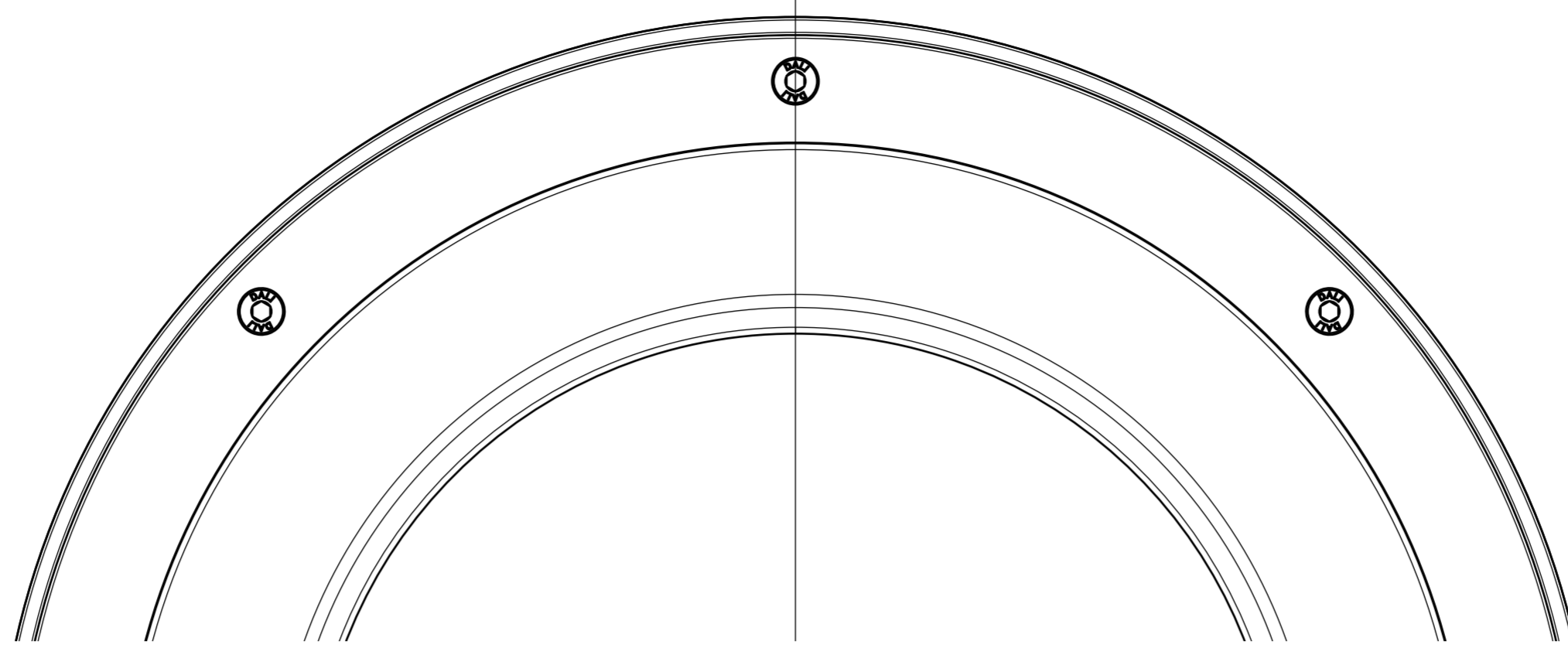


16.5 inches  
42.0 cm

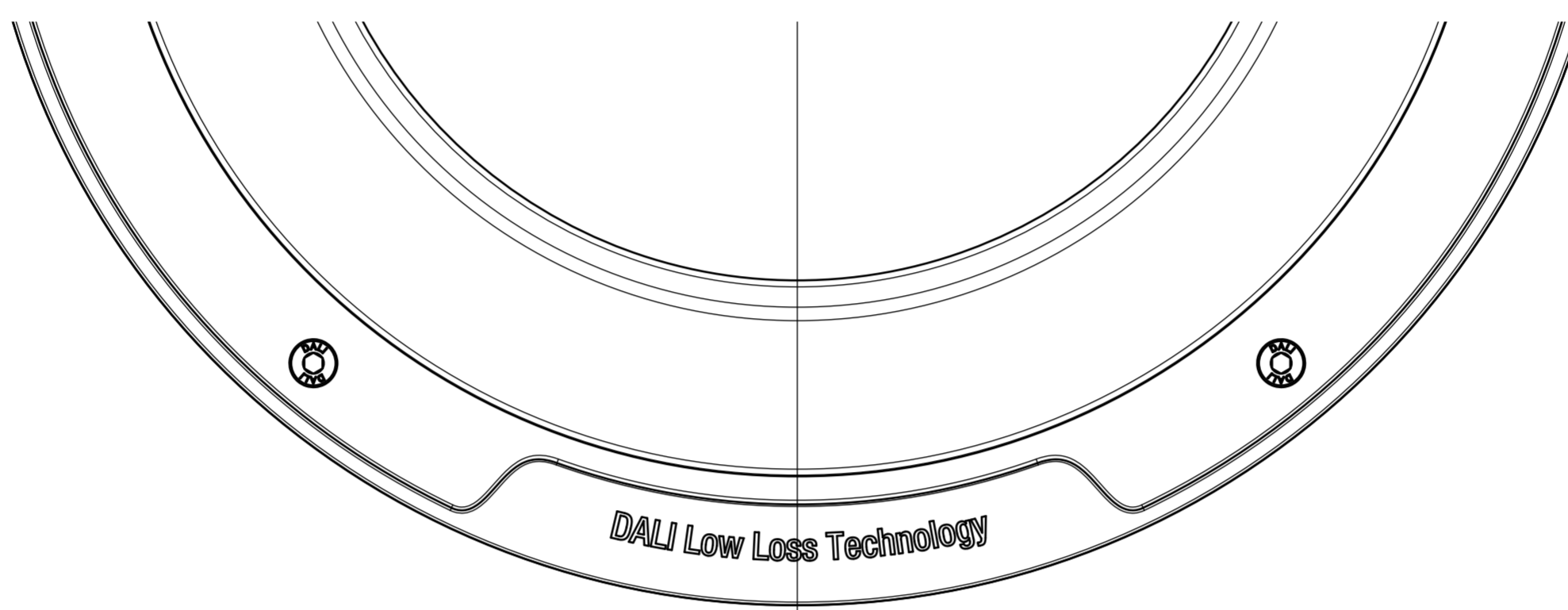
34.1 inches  
86.5 cm

Centerline

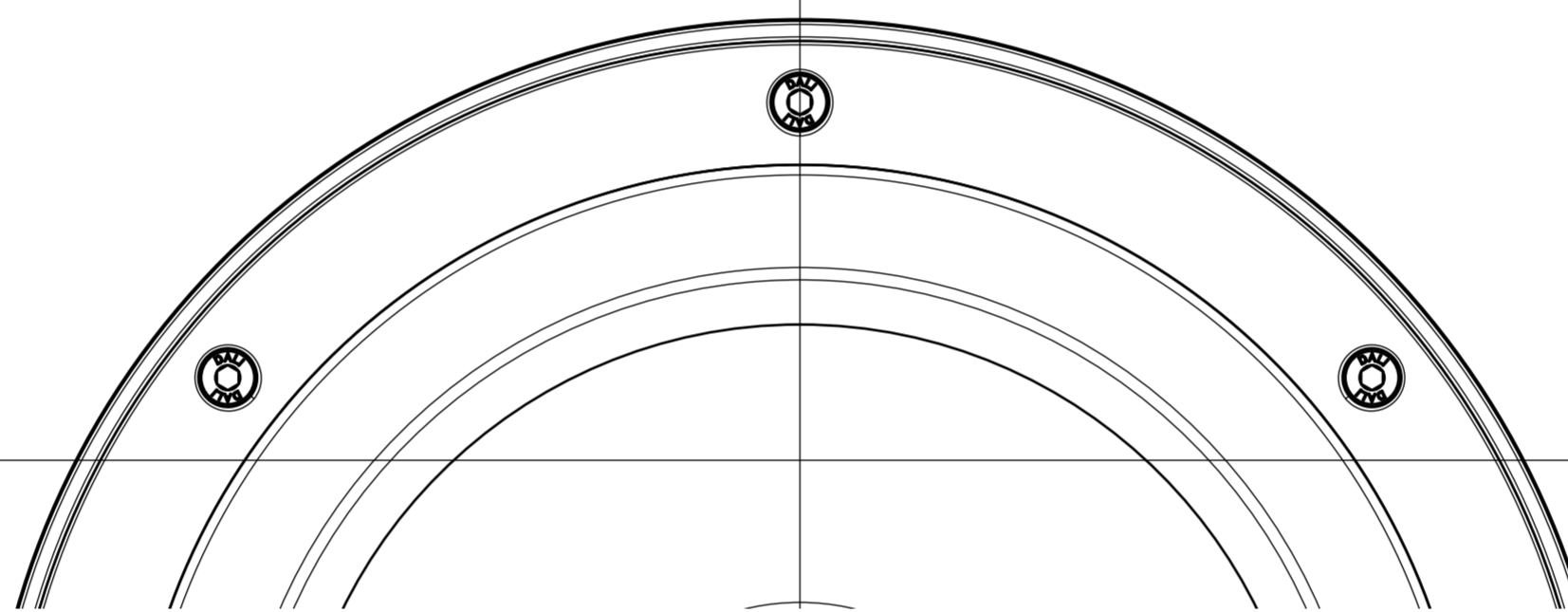


# PHANTOM S-180

## Cut-Out Template



DALI Low Loss Technology

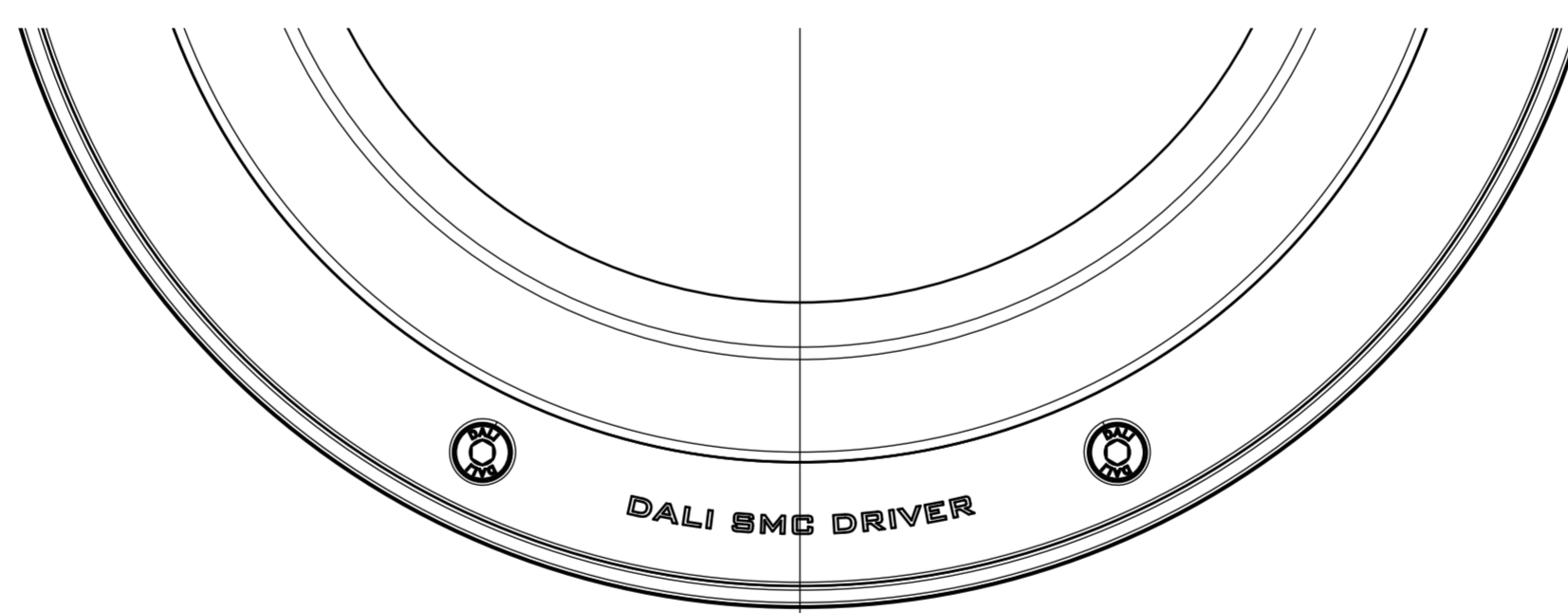


Centerline

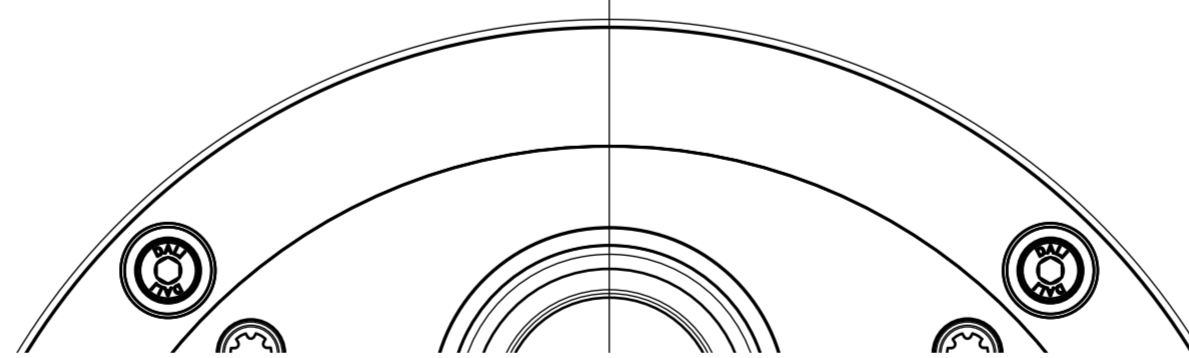
Centerline

**MAKE SURE THE TEMPLATE IS 100% HORIZONTAL BEFORE CUTTING**

**CUT-OUT HOLE SIZE:  
16.5 x 34.1 inches / 42.0 x 86.5 cm**



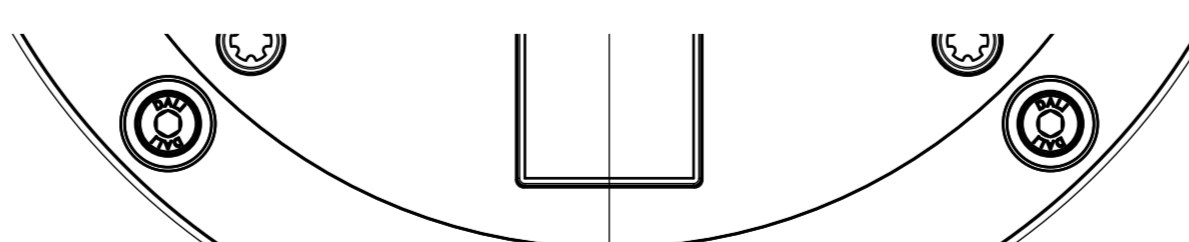
DALI SMC DRIVER



### **WARNING:**

**INSTALLATIONS MUST BE DONE BY TRAINED PROFESSIONALS.  
READ INSTRUCTION MANUAL BEFORE INSTALLATION.**

**MOUNTING DEPTH:  
4.1 inches / 10.5 cm**



IN ADMIRATION OF MUSIC

DALI NO: 951027-0-0